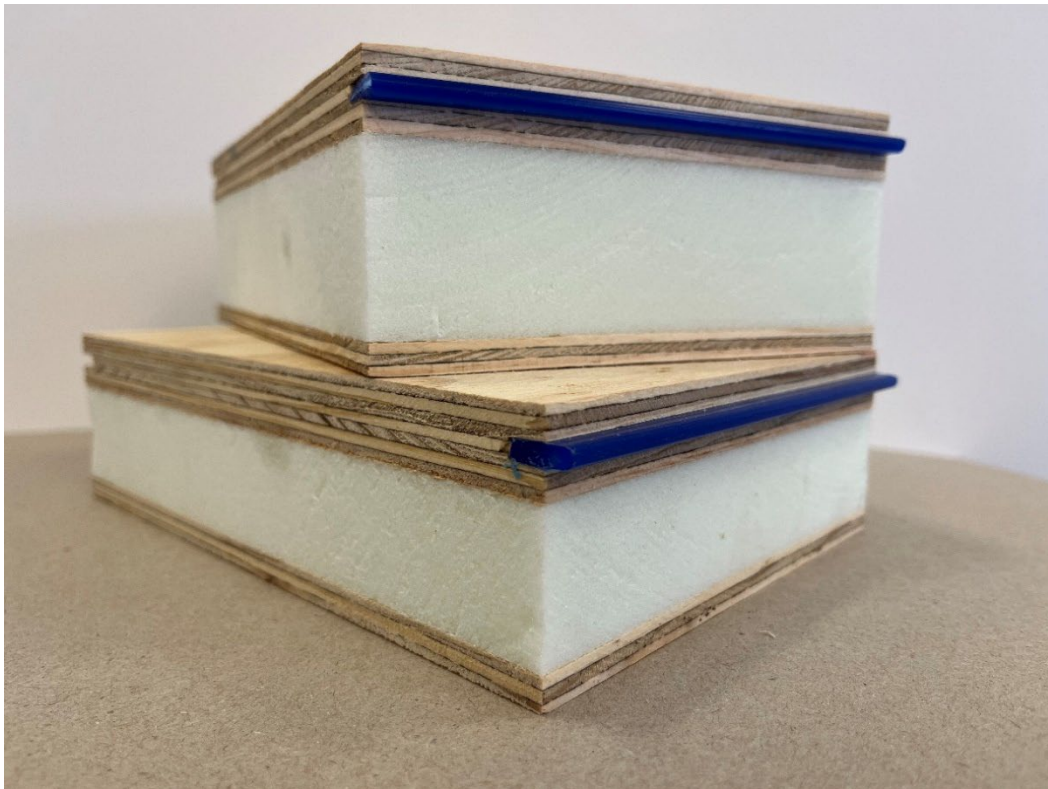




PLATINUM “R” FLOOR

STRONG, SUPERIOR, SUSTAINABLE

PRODUCT INFORMATION & DESIGN GUIDE



Platinum
Timber & Ply



Responsible
Wood RW/1-10-1

Platinum Timber & Ply:

Platinum Timber & Ply consistently looks for areas of the construction industry where there is room for improvement through product selection. This has been a major focus for our business for many years. Through this mindset we have been focused on critical path reduction and overall quality of finished projects. Through strong partnerships with customers, suppliers and our continually growing inhouse manufacturing capabilities, Platinum Timber & Ply continue to improve our product offering to the construction industry, with a strong focus on quality before anything else.

The Platinum “R” Floor Story

Through discussions with industry experts, detailed market research and ongoing customer consultation, we found the need for an all-in-one insulated flooring product that would perform in the harsh Australian environment.

Our goal was to produce a product that would fit the following criteria.

- Strong
- Have Thermal Properties
- Time Saving
- Environmentally Friendly
- Sustainable
- Light Weight
- Cost Effective
- Easy to Install
- Australian Made

Once the criteria was established, the hard work began and after months of rigorous research and development Platinum “R” Floor was born.

Structural performance testing was performed by Bureau Veritas (registered N.A.T.A. testing laboratory.) Testing results showed Platinum “R” Floor exceeded both the point load and distributed load requirements stated in AS/NZS 11701-2002 for commercial and domestic usage.

This brings us too today. Platinum Timber and Ply have a product that fits all the criteria we were originally looking for, while also achieving some additional benefits:

- **Strong** – Recommended joist centres at 800mm.
- **Thermal Properties** – 54mm Panel – R1.2, 64mm Panel – R1.5
- **Time Saving** – Structural flooring and under floor insulation installed in one simple process from the top of the structure, NO joist set down for wet areas.
- **Environmentally Friendly** – 100% Recyclable at end of use, reduced carbon emissions through reduction in energy usage of the building.
- **Sustainable** – Manufactured from Australian sustainably grown plantation pine.
- **Light Weight** – Average weight 14kg/m² (dependent on panel thickness)
- **Cost Effective** – Fewer joists required, time saved during installation, no under floor insulation required.
- **Easy to Install** – As simple as installing a traditional sheet floor.
- **Australian Made** – All components manufactured and assembled in Australia.

Additional Benefits:

- **Thermal Breaks** – When using a steel joist system there is a need for a barrier between the joist and the flooring. Platinum “R” Floor panels provides this thermal break without the need for additional material.
- **Wet Area Set Down** –Eliminates the need to notch out, set down or use different height joists to create the wet area. When installed, all that is required prior to waterproofing is a strip of fibre cement flashing between the edge of the flooring panel and the 19mm wet area flooring. This then gives an automatic step down to the wet area and allows to create a fall to the waste.
- **Acoustic Properties** – Significant reduction of sound.

Energy Efficiency: One of the biggest advantages of Platinum “R” Floor is its high thermal performance. Platinum “R” Floor panels core has both a high compressive strength and high insulative R-value, which measures a material's resistance to heat flow. This means that your home will be better insulated and more energy efficient, leading to significantly lower energy bills, increased comfort, all while being better for the environment.

Construction Time & Cost Savings:

While the upfront cost of using Platinum “R” Floor panels may be slightly higher than traditional building methods, the reduced construction times, reduction in critical path and reduction of structural joists required, result in substantial cost savings. Additionally, the high-quality feel of the final product needs to be seen to be appreciated.

High Strength and Durability: Platinum “R” Floor is a strong and durable flooring system that can withstand heavy loads and resist impacts, making it an ideal choice for domestic, commercial, and industrial applications. Independent testing showed that Platinum “R” Floor is up to four times stronger than the Australian Standard requirements.

Excellent Insulation: Platinum “R” Floor panels provide excellent thermal insulation, reducing energy consumption and saving costs on heating and cooling. You won't have to worry about updrafts, air leaks, or the need to constantly adjust your heating and cooling system.

Sound Transfer Reduction: The insulation in Platinum “R” Floor panels provide excellent sound properties, reducing noise transfer between floors and creating a quieter home environment.

Easy Installation: Platinum “R” Floor panels are lightweight compared to other sub-floor systems, easy to cut with standard construction tools, easy to install and requires minimal labour, reducing installation time and associated costs.

100% Australian made! All the components to make the Platinum “R” Floor panel are Australian made and assembled in our Brisbane warehouse.

Customisable: Platinum “R” Floor panels can be customised onsite to fit any size or shape, making it suitable for a wide range of applications and design requirements using standard construction tooling.

Product details:

Top skin: Australian Production 17mm T&G Structural Plywood

Bottom skin: Australian Production 7mm Structural Plywood

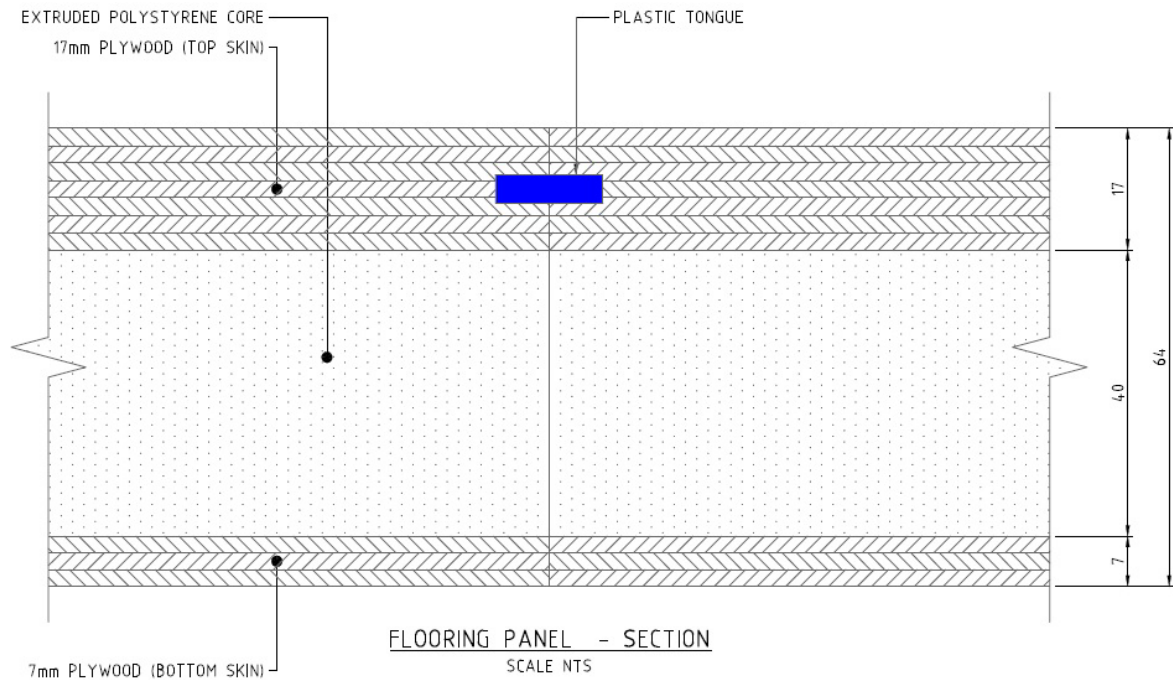
Core: Australian Manufactured Foam Core

Standard sizes available:

2400x1200x54mm

2400x1200x64mm

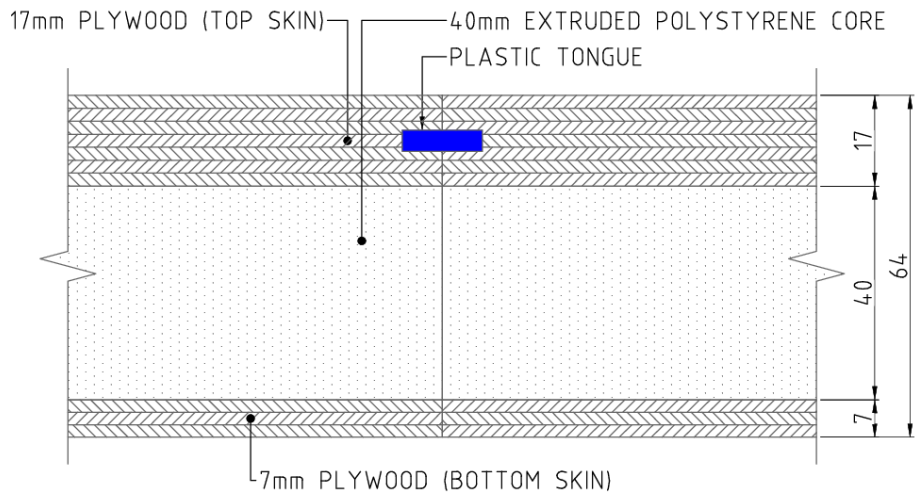
Other thickness available on request with additional lead times see table below for reference.



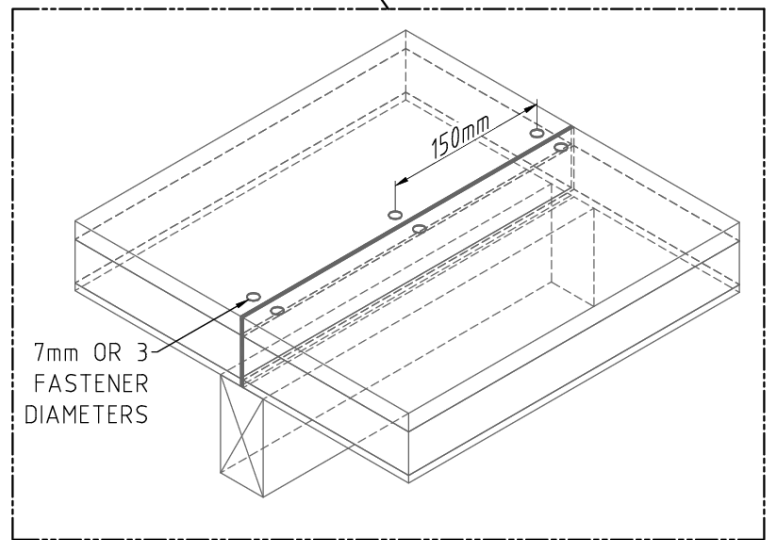
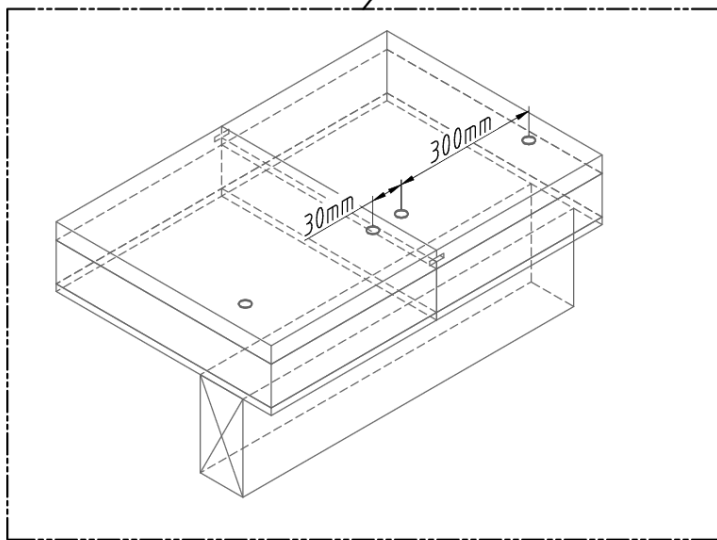
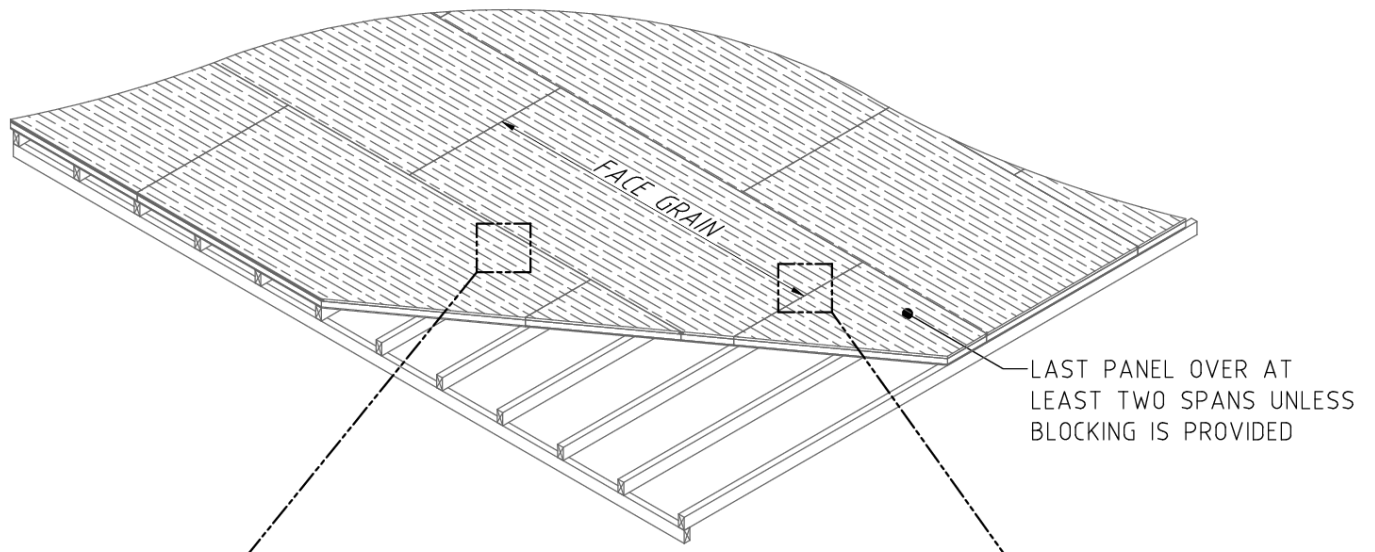
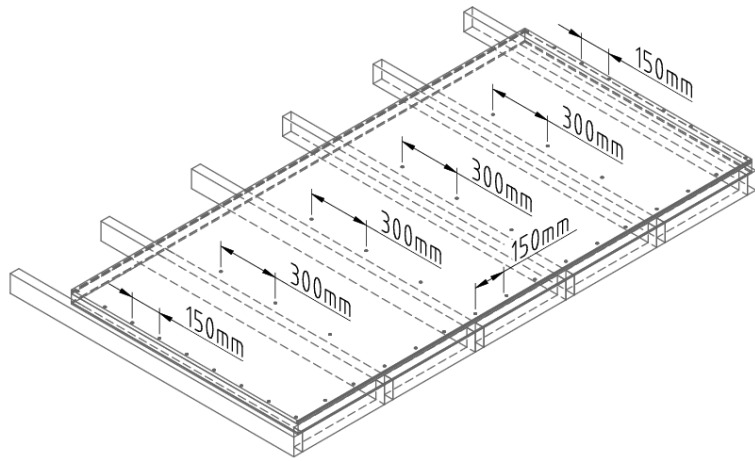
R-values:

R-values are a measure of thermal resistance that indicate how well a material resists heat flow. The higher the R-value, the better the insulation properties of the material. R-values are typically used to measure the insulation properties of building materials such as walls, roofs, and floors, and are expressed in units of thermal resistance. Higher R-values are desirable for insulation as they can reduce energy consumption by minimizing heat loss or gain through the building.

Panel Thickness mm	Core Thickness mm	Ply Thickness mm	Panel Weight KG	Panel "R" Value
54	30	24	40.9	1.2
64	40	24	41.9	1.5
74	50	24	42.9	1.75
84	60	24	43.9	2.0
99	75	24	45.3	2.5



FLOORING PANEL - SECTION
SCALE NTS



Sustainability:

Platinum “R” Floor is a building material made from radiata pine; a type of tree commonly found in Australia. These trees are grown in plantations that are carefully managed to ensure the sustainability of the resource.

The process of growing and harvesting these trees involves careful planning, monitoring, and management of the plantations to ensure that the trees can grow and reproduce over time. This is done in a way that minimizes negative impact on the environment and maintains ecological balance.

As a result, Platinum “R” Floor panels are an eco-friendly building material that is made from sustainable resources and can be used with confidence by those who are committed to responsible construction practices.

Platinum “R” Floor panels are an environmentally friendly building product and are 100% recyclable at end of use.

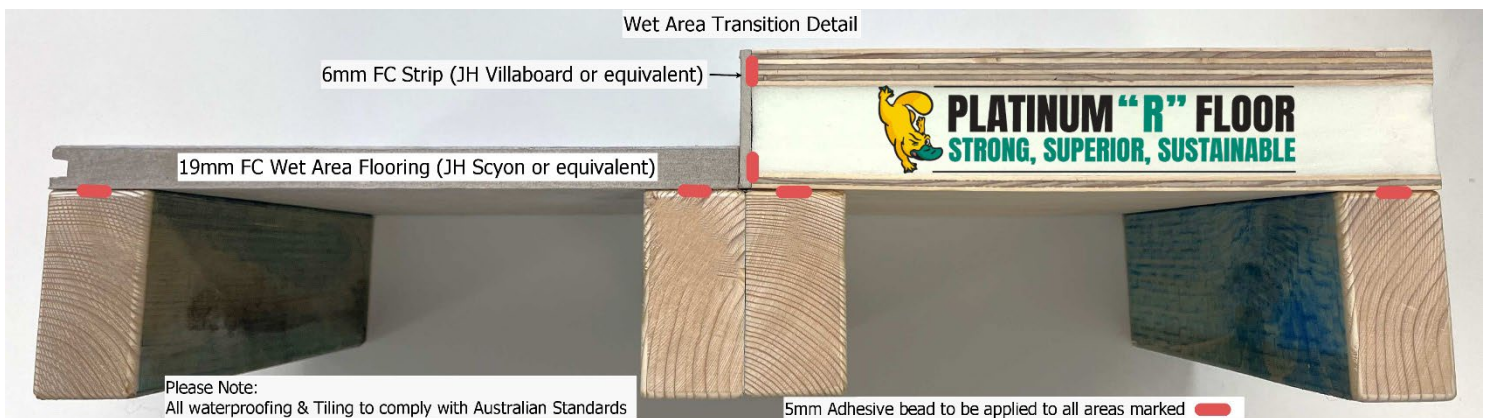
Sub Floor Requirements:

Platinum “R” Floor panel system can be installed over either steel or timber joists, their size and spacing are to be determined by the project engineer, **recommended maximum joist centres at 800mm**. It is recommended that the joists have a minimum thickness of 45mm. Platinum “R” Floor panels can be easily installed using existing standard steel and timber joist framing systems that are available throughout Australia.

Blocking is required under all load bearing walls.

Wet Area Set Down:

Platinum “R” Floor makes wet area set downs simple and effortless, removing the need to set down joists to get fall to wet area floor wastes and preset heights for tile beds.



Australian Made:

Platinum “R” Floor panels are proudly 100% Australian made and have been certified by Australian Made Campaign Limited (AMCL).



Termite Treatment:

Platinum “R” Floor panels are available in an untreated option and a H2 Treated option as well.

Termite Treated Platinum “R” Floor panels can be used throughout Australia with no restriction to geographical location.

Storage and Handling:

It's important to take care when storing and handling Platinum “R” Floor panel products. Please protect the edges and corners of the product from damage during storage. Also, make sure that the products are kept dry and away from weather during both transport and storage.

To prevent any unnecessary exposure to water or moisture, the product must be laid flat on a smooth, level surface that is clear of the ground. This will help to avoid any damage and ensure that the product stays in good condition prior to installation.

Face checks on plywood exposed to weather:

Face checks are lengthwise separations of wood fibres in the face veneer of the plywood. They result from the normal swelling and shrinking of wood as it gains and loses moisture. It is important to realise that these checks are superficial and confined to the face veneer. They do not alter the structural integrity of the plywood in any way. If you are the specifier, it is important to discuss these issues with your client and consider the length of exterior exposure, climate conditions and protection offered by the surface coating before finalising product choice.

Source: CHH Ecoply Installation Guide

Chain of custody:

Platinum Timber & Ply uses a system called the Responsible Wood Chain of Custody certification. This system is like a tracking device for timber products. It starts monitoring when a tree is cut in a certified forest and continues until the wood product reaches its final user.

The goal of this system is to ensure that Platinum Timber & Ply's products are created from resources that are not only certified but also legal and sustainable. It's a method to guarantee that the forests in Australia are used in an environmentally friendly manner.

The Responsible Wood Chain of Custody system is specially designed for the Australian environment, aiming to promote a sustainable approach to forest management. It's recognized globally by the Programme for the Endorsement of Forest Certification Scheme (PEFC), a major international body for forest certification.

One key feature of the Responsible Wood system is that it's the only one of its kind in Australia that complies with an Australian Standard (AS 4708). This means that any product you get from Platinum Timber & Ply that has a Responsible Wood certification ensures that the wood used in the product comes from a source that is both legal and managed sustainably. This is a major step toward promoting sustainable and responsible use of our forest resources.



PLATINUM “R” FLOOR

STRONG, SUPERIOR, SUSTAINABLE

Disclaimer:

This document contains information that is provided by Platinum Timber & Ply, which is believed to be accurate and dependable at the time of preparation. However, Platinum Timber & Ply does not assume any responsibility for errors or omissions contained herein. The information provided in this document should not be construed as a recommendation to use any of Platinum Timber & Ply's products in violation of any patent rights or in breach of any statute or regulation.

It is important to note that Platinum Timber & Ply makes no representations as to the suitability of the product for the customer's requirements. Therefore, it is the responsibility of the users to determine the suitability of this information in relation to their particular purpose and specific circumstances. Moreover, as the information contained in this document may be applied under conditions beyond the control of Platinum Timber & Ply, it denies any liability for any loss or damage that may be caused by any person acting or refraining from action as a result of this information.

By accessing this information, users acknowledge that they have read and understood the terms and conditions set forth herein and agree to be bound by them.

Proudly Manufactured & Distributed by

Platinum Timber & Ply Pty Ltd

5 Aliciajay Circuit

Luscombe QLD 4207

07 3803 7488

Sales@platinumtimber.com.au

www.platinumtimber.com.au



**Platinum
Timber & Ply**



**Responsible
Wood** RW/1-10-1

